

BETTER IN DIVERTER VALVES

Two-way flap type diverter valve Type RD



 **tbma**

www.tbma.com

Components for Dry Solids Handling

Two-way diverter valve flap type RD

Application

Designed to meet the pneumatic conveying industry's requirement to route powder, pellets or granules from a product source to two receiving points with a minimal pressure drop. The RD diverter valves find their application in the conveying of non abrasive, free-flowing products. RD type diverters are designed to suit simple two-way diversion in pneumatic conveying systems operating at pressures up to 1 bar

Design characteristics

The RD diverter valve is constructed in such a way that the internal synthetic flap always seals against the bore of the housing. The flap components and actuating cylinder are connected to the drive shaft which in turn is integrated into the valve body. The RD diverter consist of a robust body manufactured in two sections, split at a centre flange for ease of access to the internal sealing flap. Due to the cone transition at the inlet, the sealing area within the cone forms a complete parabola and therefore an efficient internal seal can be maintained without resorting to sealing ledges. With no lodgement points and a gradual transition from one line into the other it limits turbulence and pressure drops.

Specific features

- Compact design/construction
- Low pressure drop - minimal transition effect
- Smooth internals - no lodgement points
- Simple access and maintenance
- Small divert angle -22,5°
- Dust enclosures up to 1 bar
- Wide selection of materials
- Pneumatic and/or manual actuation
- Flange sizes ranging from 50 up to 300 mm

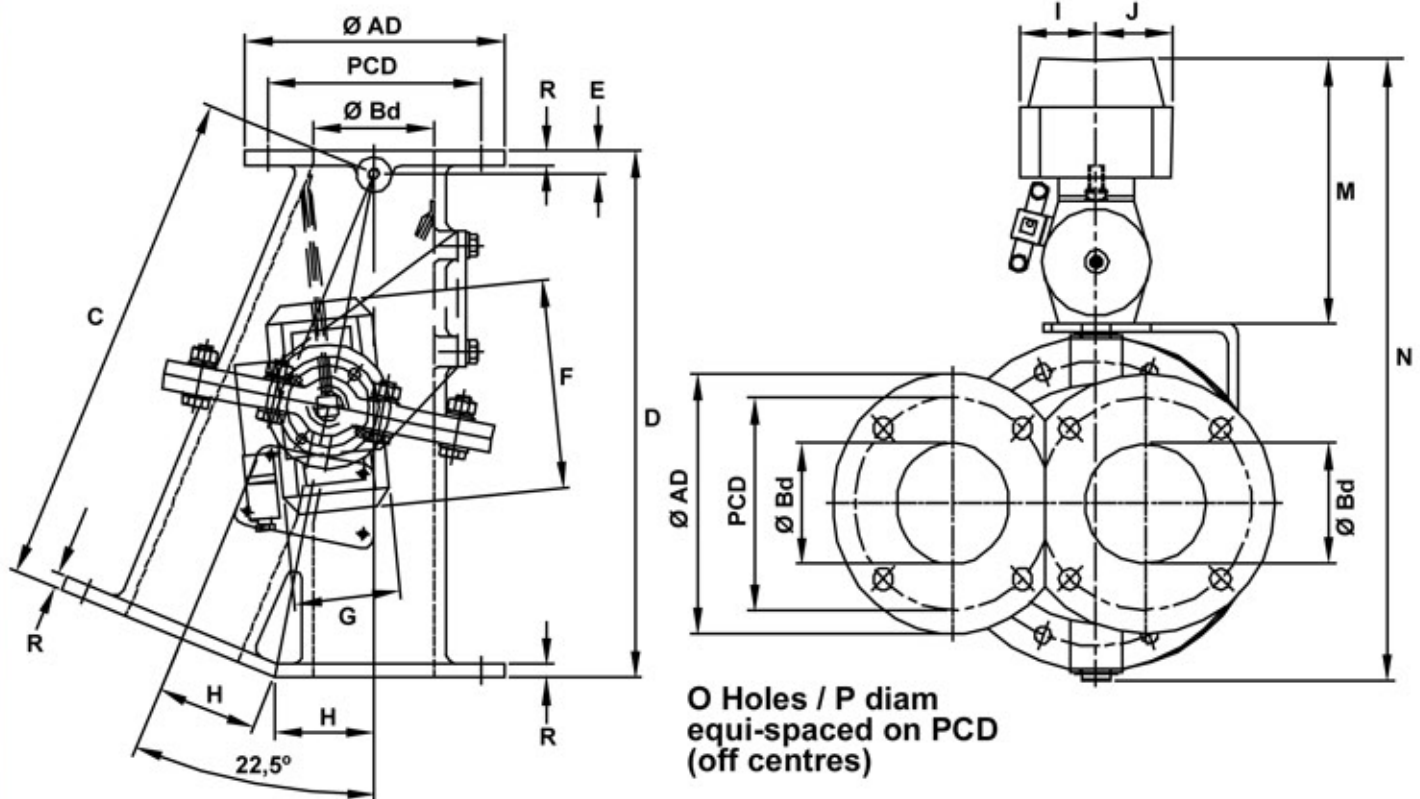


Execution

Choice of materials can cater for the majority of applications. Materials available are: cast iron, stainless steel, aluminium. By coating the body and internal components mildly-abrasive products can be handled. Actuation can be handled manually, electrically or with pneumatic air cylinder (direct- or in-direct driven). All diverter valves can be executed with limit switches to indicate open/closed conditions. The standard operating voltages are 24 Vdc, 110 and 220 Vac.

RD type diverter valves are available in 8 sizes ranging from 50 up to 300 mm diameter with circular connection flanges.

Dimensions Type RD with actuator



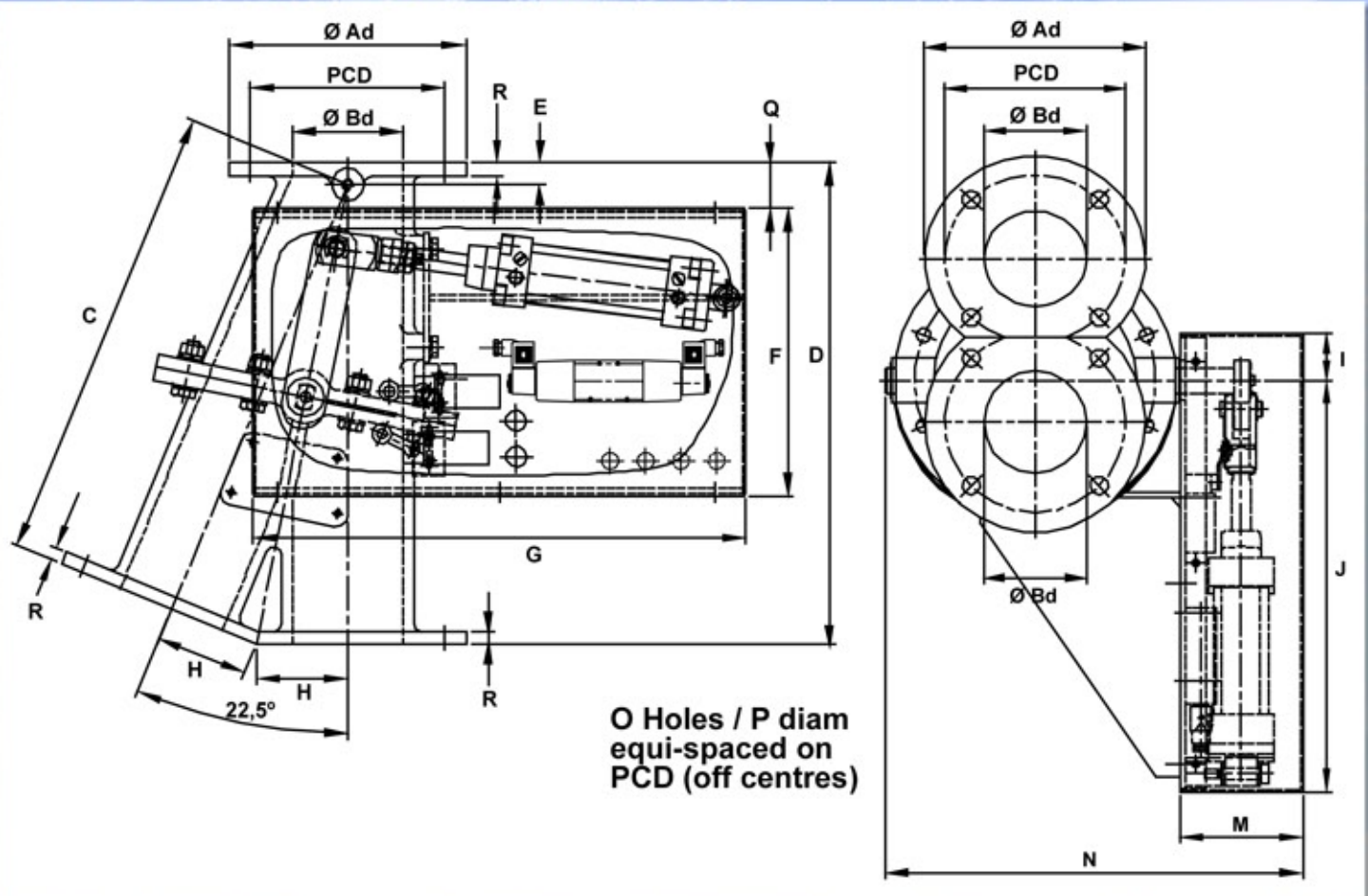
RD	Ad	Bd	C	D	E	F	G	H	I / J	M	N	PCD	O	P	R	kg
50	152	50	290	310	20	150	80	46	65	220	404	125	4	18	10	30 kg
75	185	76	351	371	20	177	90	72	65	220	444,25	150	4	18	12	40 kg
100	220	102	425	445	20	177	90	84,5	65	228	522	180	4	18	12	45 kg
125	250	125	604	634	30	202	100	120	65	237	600,75	210	8	18	20	76 kg
150	285	150	725	760	35	202	100	130	65	237	670,5	240	8	22	22	120 kg
200	340	200	866	901	35	285	120	157	65	260	763,25	295	8	22	22	174 kg
250	395	250	1024	1059	35	285	120	197,5	65	260	833	350	12	22	24	238 kg
300	483	305	1241	1313	72	360	140	242	65	280	880	400	12	22	25	250 kg

PN10: Standard drilling pattern - Standaard flensboorpatroon - Standard Flanschanschluss - Plan de perçage standard
 Alternative flange drilling patterns on request - Afwijkende boorpatronen op aanvraag
 Andere Flanschanschlussmaße auf anfrage - Types spéciaux d'alésage de bride sur demande

Dimensions in mm unless otherwise specified - Subject to change
 Afmetingen in mm tenzij anders aangegeven - Wijzigingen voorbehouden
 Abmessungen in mm sofern nicht anders angegeben - Änderungen vorbehalten
 Toutes les dimensions sont données en mm sauf indication contraire - Sous réserve de modifications

TBMA reserve the right to make alterations in construction and/or dimensions without further notice. Illustrations and specifications may differ from final execution. Although this brochure has been compiled with the utmost care, no liability can be assumed for inaccuracies of any kind.

Dimensions Type RD with cylinder



O Holes / P diam
equi-spaced on
PCD (off centres)

RD	A dia.	B dia.	C	D	E	F	G	H	I	J	M	N	PCD	O	P	Q	R	kg
50	152	50	290	310	20	250	410	46	77	333	102	286	125	4	Ø 18	0	10	30
75	185	76	351	371	20	243,5	372,3	72	41	392,6	122	346,3	150	4	Ø 18	0	12	40
100	220	102	425	445	20	266	417	84,5	49	417	122	416	180	4	Ø 18	42	12	45
125	250	125	604	634	30	288,5	461,8	120	57	441,4	122	485,6	210	8	Ø 18	92	20	76
150	285	150	725	760	35	311	506,5	130	65	465,7	122	555,5	240	8	Ø 22	142	22	120
200	340	200	866	901	35	333,5	551,3	157	73	490,1	122	625,3	295	8	Ø 22	192	22	174
250	395	250	1024	1059	35	356	596	197,5	81	514,5	122	695	350	12	Ø 22	242	24	238
300	483	305	1241	1313	72	366	736	245	203	533	162	762	400	12	Ø 22	246	25	250

PN10: Standaard flensboorpatroon - Standard drilling pattern - Standard Flanschanschluss - Plan de perçage standard
Afwijkende boorpatronen op aanvraag - Alternative flange drilling patterns on request
Andere Flanschanschlussmaße auf anfrage - Types spéciaux d'alésage de bride sur demande

Note: Afmetingen in mm tenzij anders aangegeven - Wijzigingen voorbehouden
Dimensions in mm unless otherwise specified - Subject to change
Abmessungen in mm sofern nicht anders angegeben - Änderungen vorbehalten
Toutes les dimensions sont données en mm sauf indication contraire - Sous réserve de modifications

TBMA reserve the right to make alterations in construction and/or dimensions without further notice. Illustrations and specifications may differ from final execution. Although this brochure has been compiled with the utmost care, no liability can be assumed for inaccuracies of any kind.